



ABACO MACHINES OPERATION MANUAL SCISSOR CLAMP



ABACO MACHINES USA, INC.
(EAST COAST OPERATION)

505 Edwards Court
Newport News, VA 23608

Tel: 757-877-5243
Fax: 757-877-5863

Email: sales@abacomachines.com
Website: www.abacomachines.com

ABACO MACHINES USA, INC.
(WEST COAST OPERATION)

20224 S. Normandie Ave.
Torrance, CA 90502

Tel: 310-532-0366
Fax: 310-532-0499

Email: sales@abacomachines.com
Website: www.abacomachines.com

ABACO MACHINES
INTERNATIONAL

Unit 4/34-36 Fairfield Street
Fairfield N.S.W. 2163 Australia

Tel: 61-2-9632-4990
Fax: 61-2-9632-1510

Email: abacomachines@abaco.com.au
Website: www.abaco.com.au

- ❖ Auto Lock
- ❖ Fully Vulcanized Rubber Pads (Rubber Pads Last Longer)
- ❖ All Natural Rubber For a Better Grip
- ❖ No Slippage
- ❖ Protected Rubber Across Jaws That Prevents Chipping
- ❖ Swivel Shackle
- ❖ Replacement Pads Available

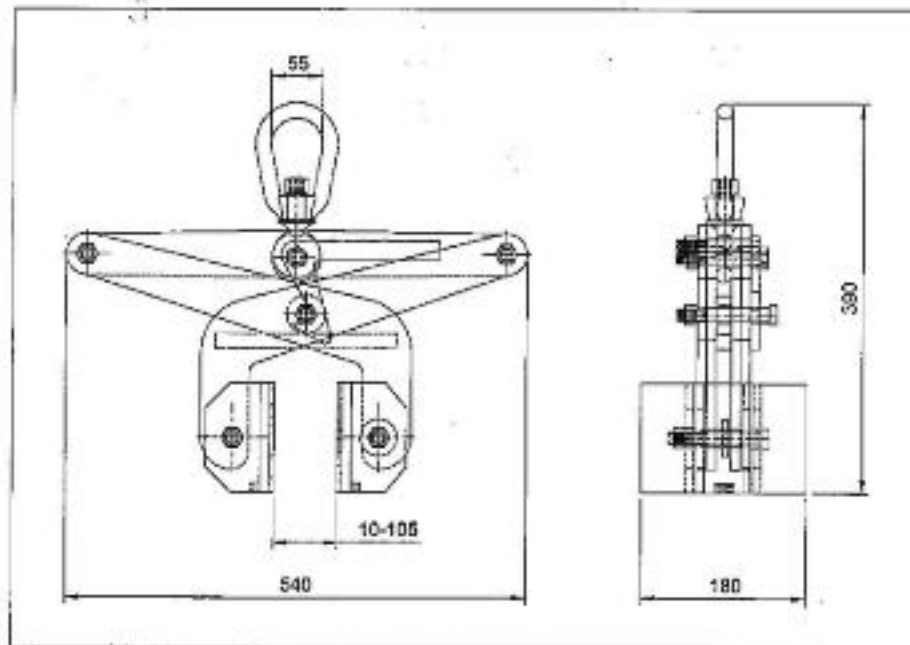
SPECIFICATIONS:

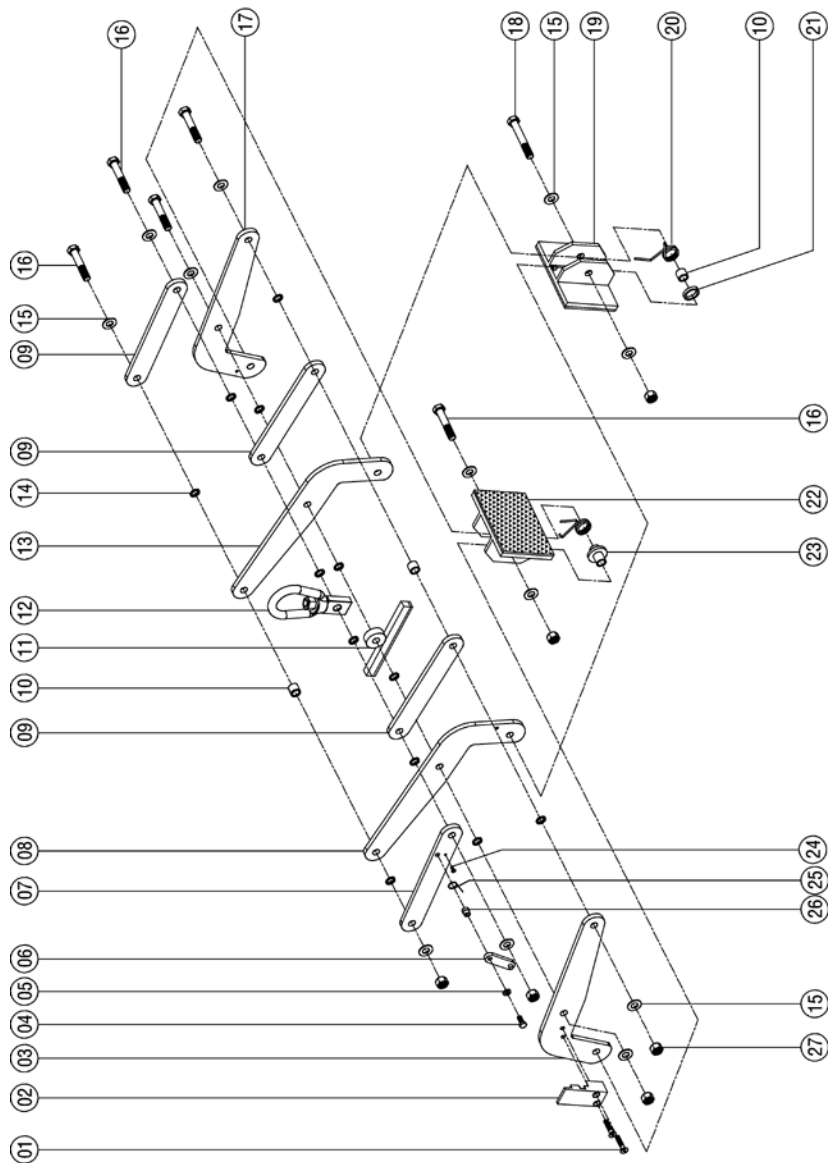
Grip Range: $\frac{3}{8}$ - 4" (10-105mm)

Work Load: 1650 lbs (750kg)

Weight: 46 lbs (21kg)

Dimensions: 21 $\frac{1}{4}$ x 15 $\frac{3}{8}$ x 7" (540 x 390 x 180mm)





SPARE PARTS LIST

PART No	DESCRIPTION	QTY	PART No	DESCRIPTION	QTY
01	Alan Key Socket Head M14 x 90	02	12	Left Hand Side Jaw	01
02	Alu. Washer Ø14 x Ø20 x 0.8	14	13	Swivel Shackles	01
03	Locking Latch	01	14	Spacer Ø14 x Ø24 x 17	03
04	Alan Key Socket Head M14 x 80	03	15	Lower Arm 15	02
05	Spacer Ø14 x Ø16 x 16	01	16	Nut M14	06
06	Washer Ø14 x Ø30 x 1.5	10	17	Lower Arm 17	01
07	Lower Arm 07	01	18	Right Hand Side Jaw	01
08	Alan Key Socket Head M6 x 10	01	19	Spacer	01
09	Upper Arm 09	01	20	Torsion Spring	02
10	Upper Arm 10	03	21	Washer Ø26 x Ø30 x 4	01
11	Stopper	01	22	Alan Key Socket Head M14 x 100	01

WARRANTY CERTIFICATE

In order to validate the warranty, it is mandatory to return the attached Warranty Certificate, duly completed, within eight (8) days after purchase along with a copy of the receipt or the Bill of Sale.

PERIOD

The warranty starts from the date of purchase on the receipt and is valid for six (6) months. Please remember to include a copy of your receipt when sending in the Warranty Certificate.

LIMITATIONS

This warranty is limited to the replacement of parts recognized as defective by Abaco Machines excluding worn components and consumables. The manufacturer is not responsible for any direct or non-direct, material or immaterial damages caused to persons or property by failure of the machine or the non-operation of the machine.

CONDITIONS

To benefit from the warranty, it is mandatory to return the attached Warranty Certificate, duly completed, within eight (8) days after purchase along with a copy of the receipt or Bill of Sale.

EXCLUSIONS

Warranty does not apply to damages or failures caused by:

- Incorrect use, misuse, error in transportation, handling, or maintenance on the user's end.
- Use of non-genuine parts or accessories.
- Use of incorrect specifications.

HOW TO CLAIM

During the warranty period, if the product is discovered to be defective, please contact the retailer where you purchased the product first for review and evaluation. The retailer will inform you of the appropriate method of dealing with your claim and advise you of your nearest approved service center.

