



ABACO MACHINES
OPERATION MANUAL
ABACO SELF-LOCKING DOLLY M3



ABACO MACHINES USA, INC.
(EAST COAST OPERATION)

505 Edwards Court
Newport News, VA 23608

Tel: 757-877-5243

Fax: 757-877-5863

Email: sales@abacomachines.com

Website: www.abacomachines.com

ABACO MACHINES USA, INC.
(WEST COAST OPERATION)

20224 S. Normandie Ave.
Torrance, CA 90502

Tel: 310-532-0366

Fax: 310-532-0499

Email: sales@abacomachines.com

Website: www.abacomachines.com

ABACO MACHINES
INTERNATIONAL

Unit 4/34-36 Fairfield Street
Fairfield N.S.W. 2163 Australia

Tel: 61-2-9632-4990

Fax: 61-2-9632-1510

Email: abacomachines@abaco.com.au

Website: www.abaco.com.au

I. PRODUCT OVERVIEW

The Abaco Self-Locking Dolly M3 is designed with self-locking jaws for maneuvering glass and stone slabs around the shop, warehouse, or on work sites. The rubberized jaw and base protect the slabs against chipping and scratching while transporting. The self-locking jaws' clamping strength is proportional to the weight of the slab, hence the heavier the slab, the larger the clamping force. The Dolly has pressurized wheels and a kick stand to increase stability and flexibility in narrow and rough surfaces.

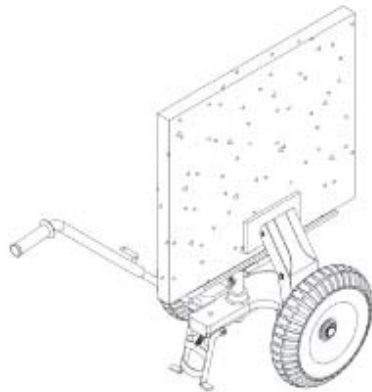
II. STRUCTURE

The Self-Locking Dolly M3 is constructed of a high tensile aluminum and steel body, large pneumatic wheels, and a heavy duty swivel caster. The self-locking jaw is activated automatically when the load is applied to it.

III. INSTRUCTIONS FOR USE

Follow these procedures when using the Self-Locking Dolly M3:

1. Pull down the kick stand before placing any load onto the Dolly.
2. Place the panel slightly off center so it can be easily handled.
3. Before moving the Dolly with a load, make sure that the load has been secured.
4. Push back the kickstand, hold the panel firmly, and then start to move to the desired place.
5. To unload the panel, just lift the panel up slowly, and the self-locking jaw will release the load automatically.
6. Do not load beyond the Work Load Limit rate from the manufacturer.



IV. MAINTENANCE AND REPAIR

- Check the air pressure in the pneumatic wheels often.
- Inspect for any cracks or defects on the Dolly.
- If any of these are found, do **not** use.
- Lubricate the bearing wheels as needed.
- Keep common worn parts on hand for replacement.

V. WARRANTY

At the time of delivery, it is necessary to ensure that the Dolly has not been damaged during shipment. Any claims must be presented within eight (8) days of the date of delivery of the product.

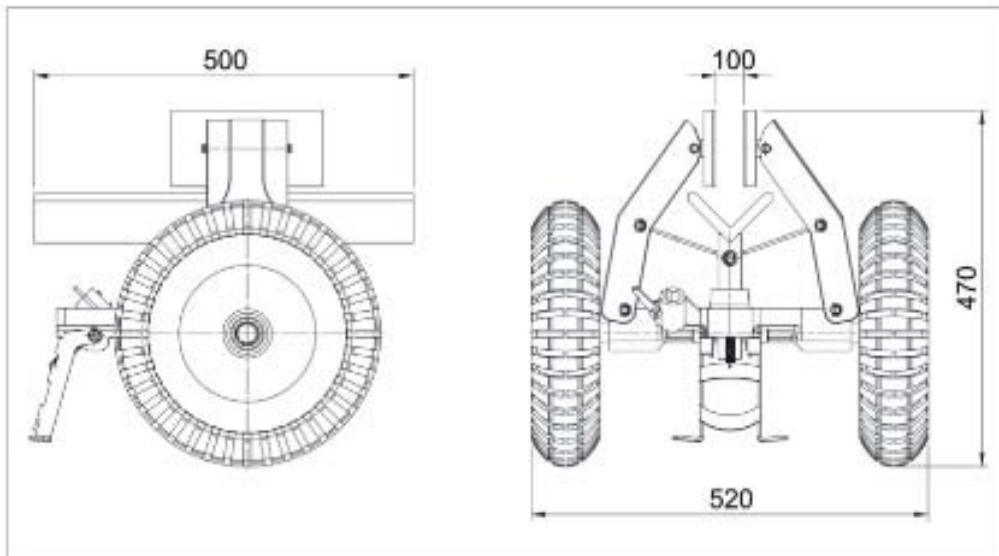
We grant you 6 months warranty on the Dolly from the day of purchase.

The warranty coverage is not applicable:

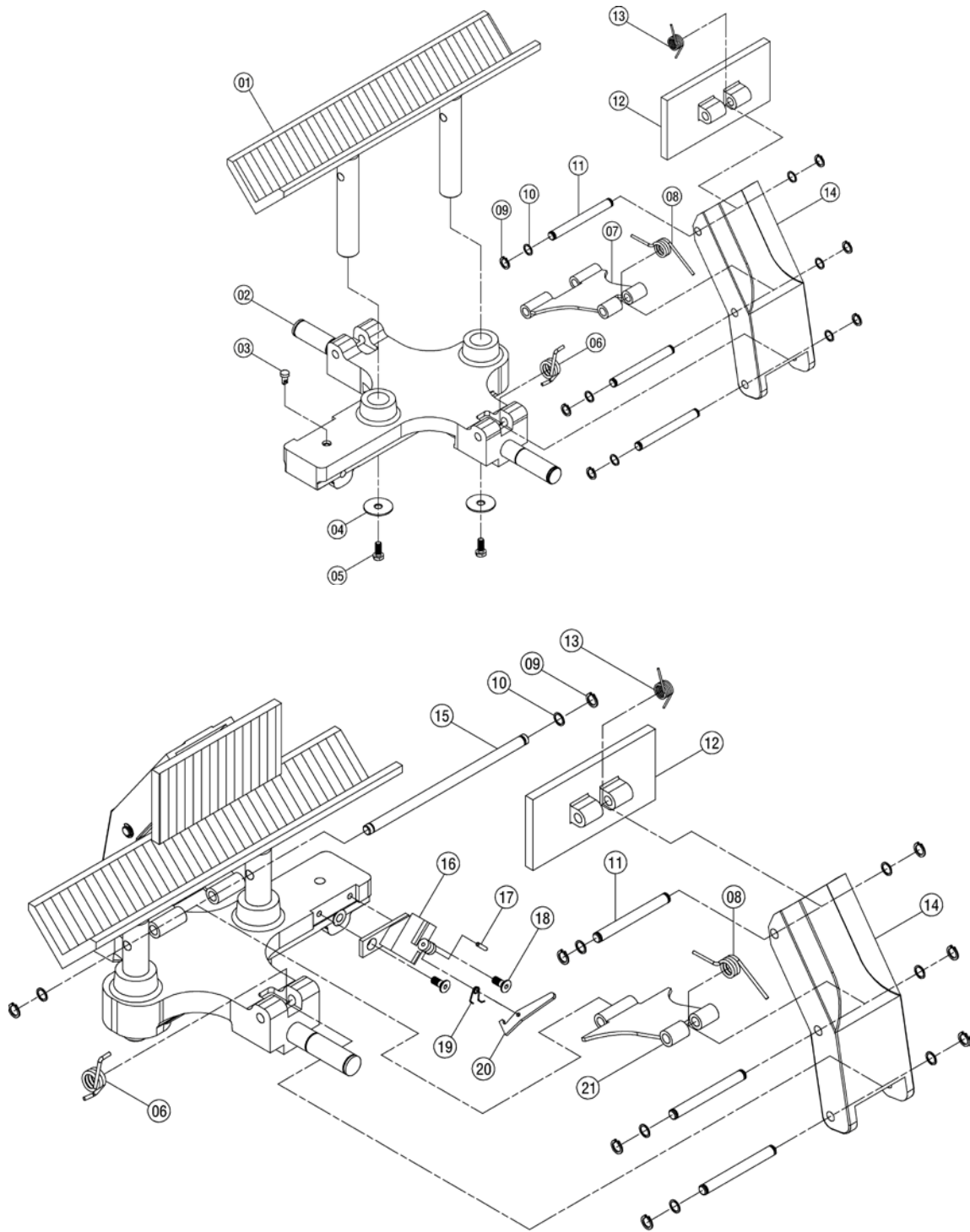
- When the Dolly has been misused.
- When the maximum capacity is exceeded.
- When damages are due to inadequate maintenance and inspections.
- When damages are due to improper storage.
- When repairs were performed by the user without our permission.
- When non-original spare parts are used.

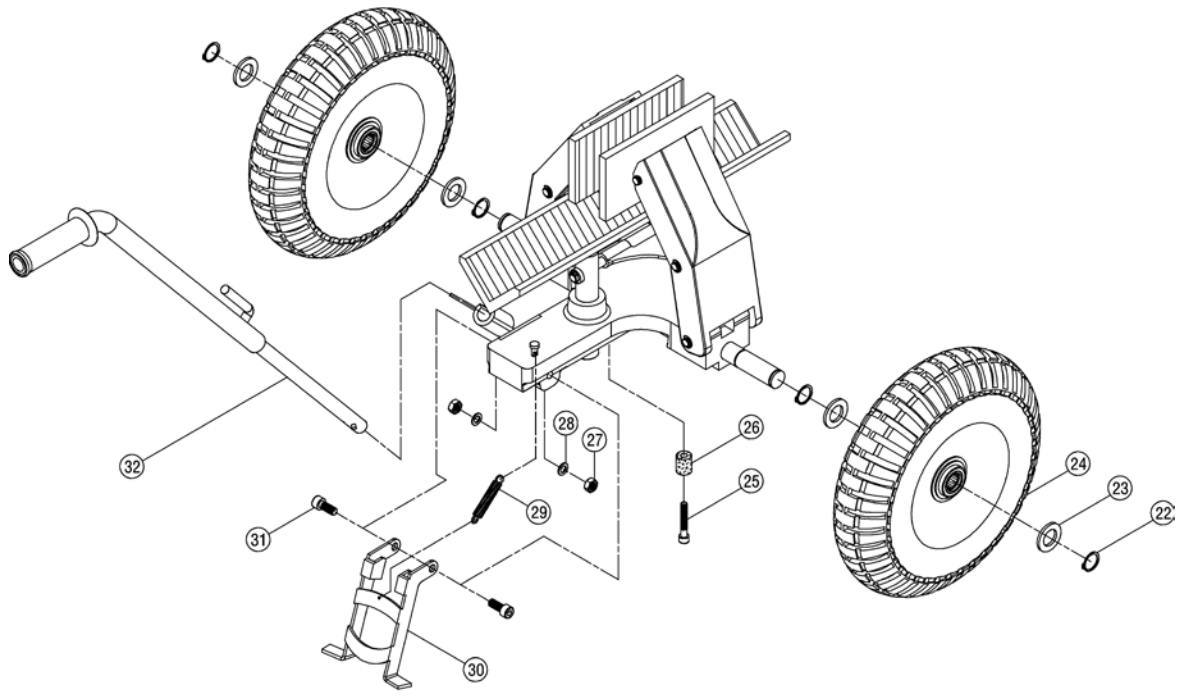
VI. SPECIFICATIONS

- Grip Range: $\frac{3}{8}$ - 4" (10 – 100mm)
- Length: 19 $\frac{5}{8}$ " (500mm)
- Width: 20 $\frac{1}{2}$ " (520mm)
- Height: 18 $\frac{1}{2}$ " (470mm)
- Seat Length: 19 $\frac{1}{4}$ " (490mm)



VII. PARTS DIAGRAMS





VIII. SPARE PARTS LIST

Part No.	Description	Qty.
SLTM3 01	Support Plate	1
SLTM3 02	Main Body	1
SLTM3 03	Spring Pin	1
SLTM3 04	Steel Washer $\phi 35 \times \phi 8 \times 4$	2
SLTM3 05	Hex Bolt M8 x 20	2
SLTM3 06	Activate Spring	2
SLTM3 07	Right Pivot Plate	1
SLTM3 08	Pivot Plate Spring	2
SLTM3 09	Circlip $\phi 12$	14
SLTM3 10	Aluminum Washer $\phi 18 \times \phi 12 \times 0.8$	14
SLTM3 11	Clamp Pin	6
SLTM3 12	Clamp Plate	2
SLTM3 13	Clamp Plate Spring	2
SLTM3 14	Clamp	2
SLTM3 15	Support Plate Pin	1
SLTM3 16	Handle Holder	1
SLTM3 17	Holder Pin	1
SLTM3 18	Counter Sunk Cap Screw M8 x 20	2
SLTM3 19	Torsion Spring	1
SLTM3 20	Latch	1
SLTM3 21	Left Pivot Plate	1
SLTM3 22	Circlip $\phi 25$	4
SLTM3 23	Copper Washer $\phi 35 \times \phi 25 \times 1$	4
SLTM3 24	Wheel $13\frac{3}{4} \times 4''$ (350 x 100mm)	2
SLTM3 25	Hex Cap Bolt M6 x 40	1
SLTM3 26	Rubber Block	1
SLTM3 27	Nylon Nut M10	2
SLTM3 28	Steel Washer $\phi 20 \times \phi 10 \times 1$	2
SLTM3 29	Support Leg Spring	1
SLTM3 30	Kick Stand	1
SLTM3 31	Hex Cap Bolt M10 x 30	2
SLTM3 32	Handle	1